

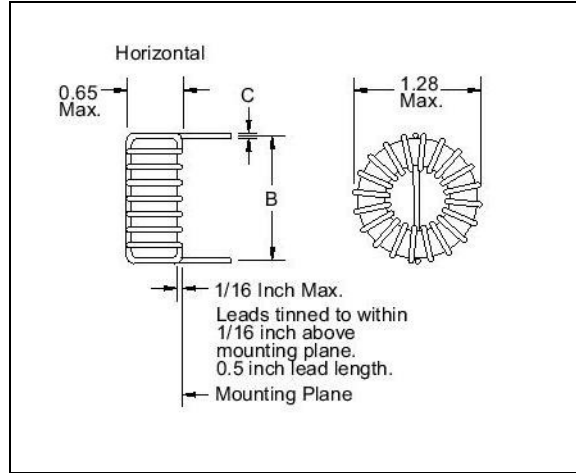
High Current Toroid Inductor

Special Features

- DC/DC converter, EMI filter applications
- Low radiation
- Low core loss
- High current capacity
- Horizontal or vertical mount
- Low cost
- Operating temperature -55 to +105 °C

Notes

* Current to cause 30 °C max. temperature rise



Dimensions: Inches

High Current Toroid Inductor

Part Number	L(μH) ±15% @ 1 KHz	I _{dc} * (A)	L(μH) ±15% @ I rated	DCR Ω Max.	Dim. A Nom.	Dim. B Nom.	Dim. C Nom.
22659	22	16.4	13.2	0.007	0.56	1.18	0.066



CERTIFICATE OF CONFORMANCE *

"I certify that all items furnished, conform to meet RoHS Directive, EU Directive 2011/65/EU. These items have been manufactured, tested, and inspected to meet all applicable mechanical and electrical requirements; marked, packaged and shipped in accordance with all applicable requirements.

I further certify that Coiltron has on file and available for examination, at your written request, evidence of conformance to the applicable requirements."



6755 SW Sandburg St., Tigard, OR 97233

P: 503-620-8231

www.coiltron.com